

### BH Series

#### Features(产品特点)



- Adjustment and fixing with ball clamp. Flexible use, rapid changing short set-up times.
- Adjustable height and inclination. Flexible adaptation to work pieces with, for example curved metal sheets(car bodywork parts)
- Suitable for mounting on square and round tubes. For universal use.
- Vacuum pads can be screwed directly into the G1/4" thread.
- Quick and cheap construction of a load cross-beam.
- 球形夹结构, 可调节高度和倾斜度, 灵活适配表面弯曲的金属板。
- 用高强度铝材制成, 适合方管和圆管的安装, 适配性强, 用途广泛。
- 螺纹管底部为G1/4螺纹可直接安装吸盘。其顶部为G1/8螺纹用于连接
- 真空管路或安装线型真空发生器。
- 使用各种连接件可将真空元器件安装负载横梁快速简便, 经济实用。

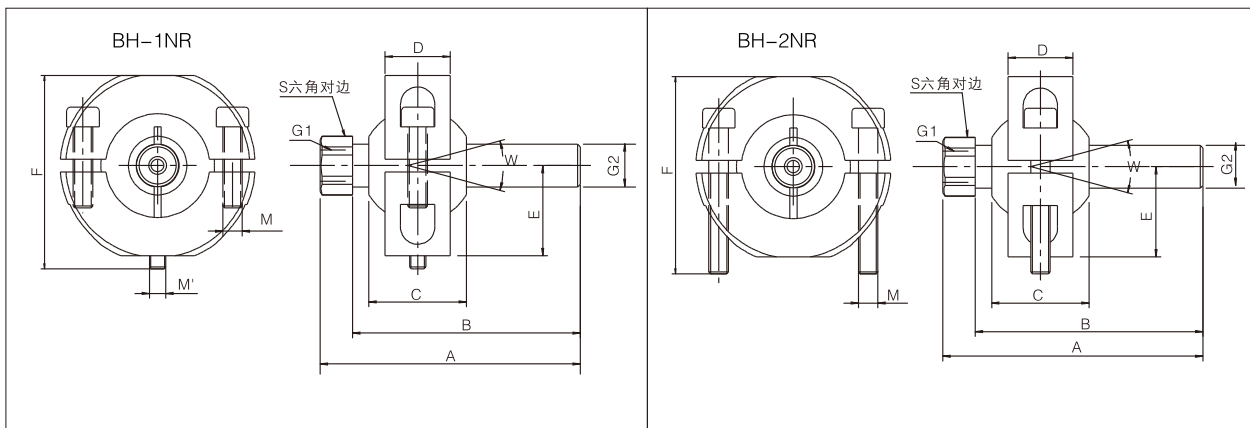
#### Dimensions(mm)(外形尺寸图(毫米))

BH-1NR=universal holder, consisting of holder tube, supporting rod, steering ball and inner hexagon screws.

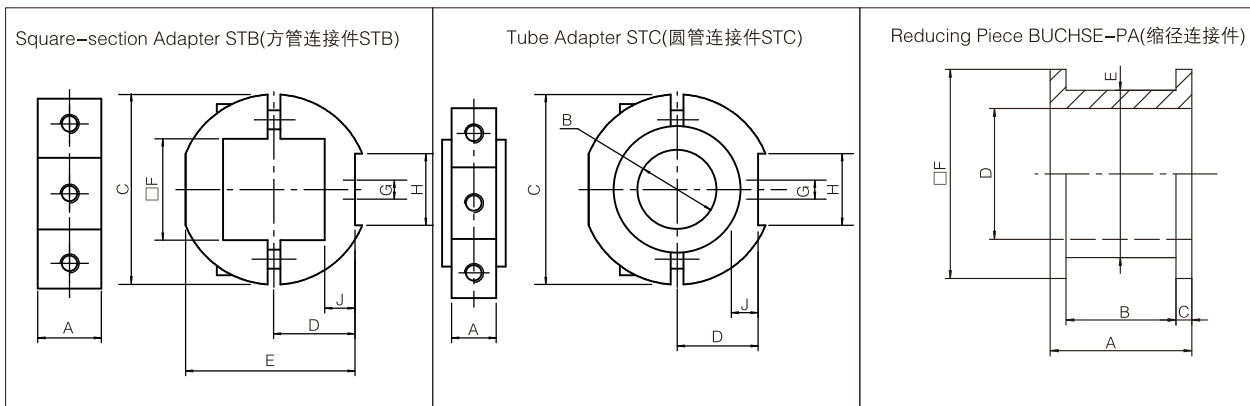
BH-2NR=universal holder, consisting of holder tube, supporting rod, steering ball and 2 inner hexagon screws.

BH-1NR=通用旋转支架包括支杆架、支杆、转向球和内六角固定螺钉

BH-2NR=通用旋转支架包括支杆架、支杆、转向球和2个内六角固定螺钉



| Model(型号) | A  | B  | C    | D  | E    | F    | G1   | G2   | M  | M' | W   | S  |
|-----------|----|----|------|----|------|------|------|------|----|----|-----|----|
| BH-1NR    | 80 | 70 | 55.6 | 20 | 27.5 | 59.5 | G1/8 | G1/4 | M6 | M5 | 30° | 17 |
| BH-2NR    | 80 | 70 | 55.6 | 20 | 27.5 | 61   | G1/8 | G1/4 | M6 | -  | 30° | 17 |



| Model(型号) | A  | B   | C    | D  | E    | □F   | G  | H    | J  |
|-----------|----|-----|------|----|------|------|----|------|----|
| BH-STB    | 20 | -   | 58.9 | 25 | 52.5 | 30.5 | M6 | 20.1 | 10 |
| BH-STC    | 20 | Φ32 | 58.9 | 25 | -    | -    | M6 | 20.1 | 12 |
| BUCHSE-PA | 27 | 21  | 3    | 25 | 32   | 40   | -  | -    | -  |