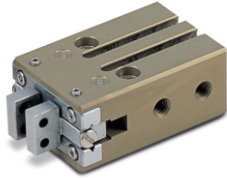


小型精密平行开闭气动手指 General Hand

TMHS Series

Feature (特征)



- Small size hand of parallel open & close motion type crank lever
- Suitable for handling of small & light work pieces
- Possible to response accurate open & close acting and speedy moving due to cross roller guide on sliding part of jaw
- Variety of attachment method
- High strength structure
- Possible to mount auto switches
- 小型精密的平行开闭方式气爪
- 适合夹起小型, 轻量, 异型部件
- 滑动部位采用CROSS ROLLER GUIDE方式, 因此开闭精度及高速应答
- 可配磁性开关

How To Order(型号表示方法)

TMHS 12 - RS2

Bore 缸径	Auto Switch 磁性开关
12, 16, 20	Nil(空) None (无磁性开关)
	RS1 Switch 1EA(磁性开关1只)
	RS2 Switch 2EA(磁性开关2只)

Specification (规格)

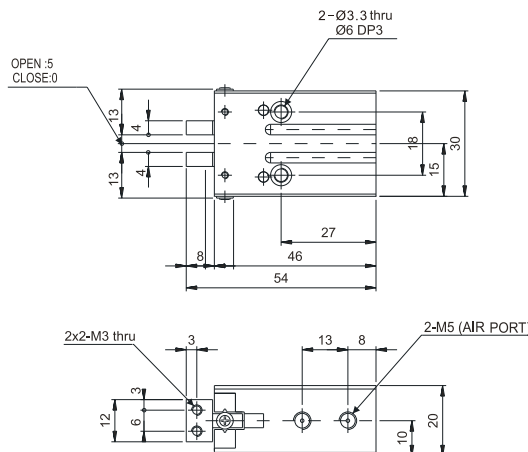
Type(型号)	TMHS12	TMHS16	TMHS20
Cylinder Bore Size(缸径)(mm)	12	16	20
Stroke(开闭行程)(mm)	5	6	8
Gripping Force(理论把持力)(kgf)	2.1	6.1	9.4
Air pressure(使用压力)(5kgf/cm ²)	3.2	7.2	11.2
Air Port Size(接管口径)	M5	M5	M5
Weight(本体重量)(kgf)	0.09	0.15	0.2
Allowable Length of Soft Jaw L(允许距离)(mm)	30	40	50
Working Fluid(使用流体)	Clean Air(洁净空气)(*注1)		
Operating Pressure(使用压力)(kgf/cm ²)	(1.5~7) General resistance pressure:10.5 (1.5~7 (普通耐压:10.5))		
Lubrication(润滑)	Not Required(不需要)(*注2)		
Temperature(使用温度)(°C)	5~60		
Accuracy(精度)(mm)	±0.01		
Max. Cycle per Minute(最高使用回数)(C.P.M)	140		
Motion Type(工作方式)	Double-acting type (双动)(Structure:Parallel open&close General Hand by Crank Lever)(平行开闭)(Sliding Part: Metal Guide)		
Tolerance Of Opne&close Stroke(mm)(开闭行程公差)	Open(开):-0.5~+1, close(闭):-1~+0.5		

Note 1) Clean Air is contained solidity of 99.9% fluid oil and 0.3% supersaturated wet through filtering 3~10µm
(洁净空气:用3~10µm过滤器, 过滤掉99.9%水份和液体油含0.3%固体物的洁净空气.)

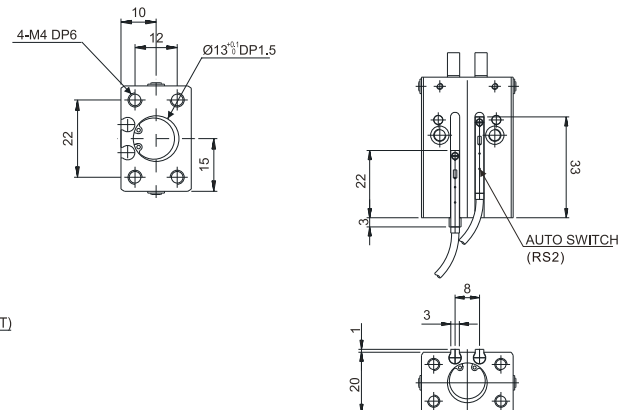
Note 2) Please Use Turbine Oil 1st-Grade ISOVG32, If Necessary. (如需要润滑, 请用透平1号油ISOVG32.)

Dimensions(mm)(外形尺寸图(毫米))

TMHS12

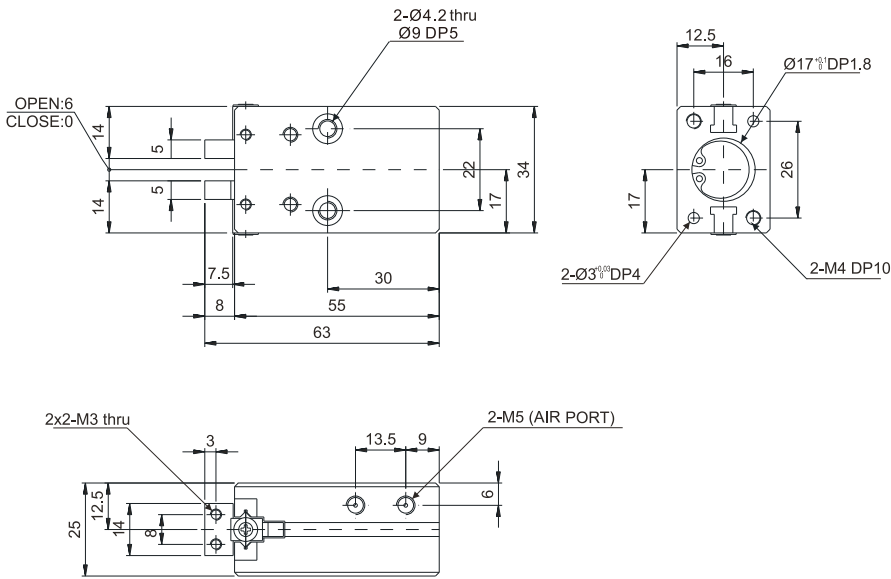


TMHS12-RS2

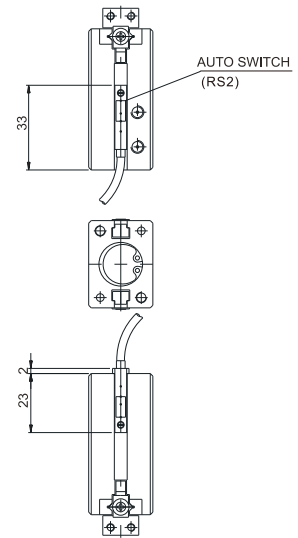


Dimensions(mm)(外形尺寸图(毫米))

TMHS16

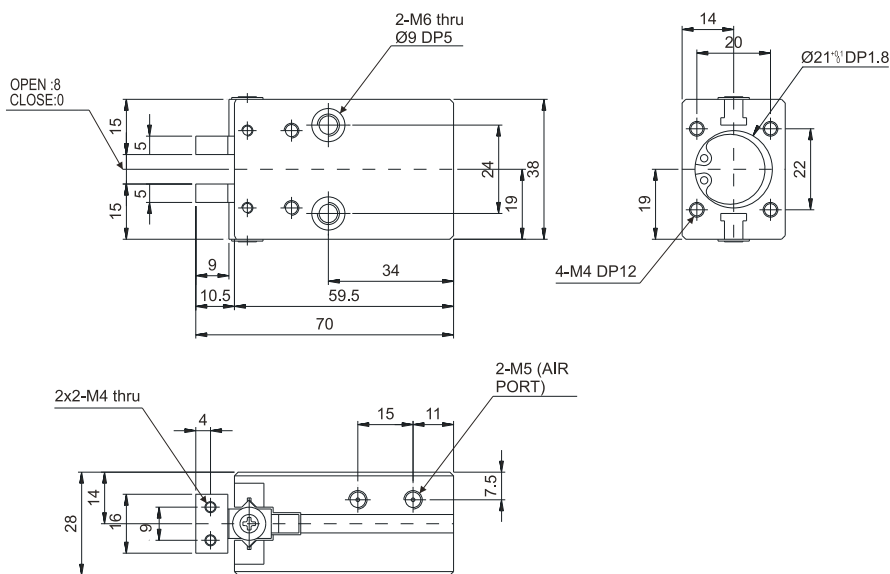


TMHS16-RS2



Dimensions(mm)(外形尺寸图(毫米))

TMHS20



TMHS20-RS2

