

平行开闭/反转/复合型摆动气缸 General Hand

TRH Series



Feature (特征)

- Combined unit type of general hand and rotary actuator which can reverse
- 2 types of reverse angle type(90°, 180°)
- Possible to adjust reverse angle(Range:10°)
- Prevent twisting of air hose due to connecting hose to fixed part
- Possible to mount auto switches
- Suitable for process which needs handing & reverse in assembly line
- 平行开闭型普通气爪构造、具反转功能的复合式摆动气缸
- 反转角度90°、180°两种
- 反转角度可调(±10°)
- 可防气管相绑缠绕
- 可配磁性开关
- 适用范围广

How To Order (型号表示方法)

TRH 16 - 90 - RS2

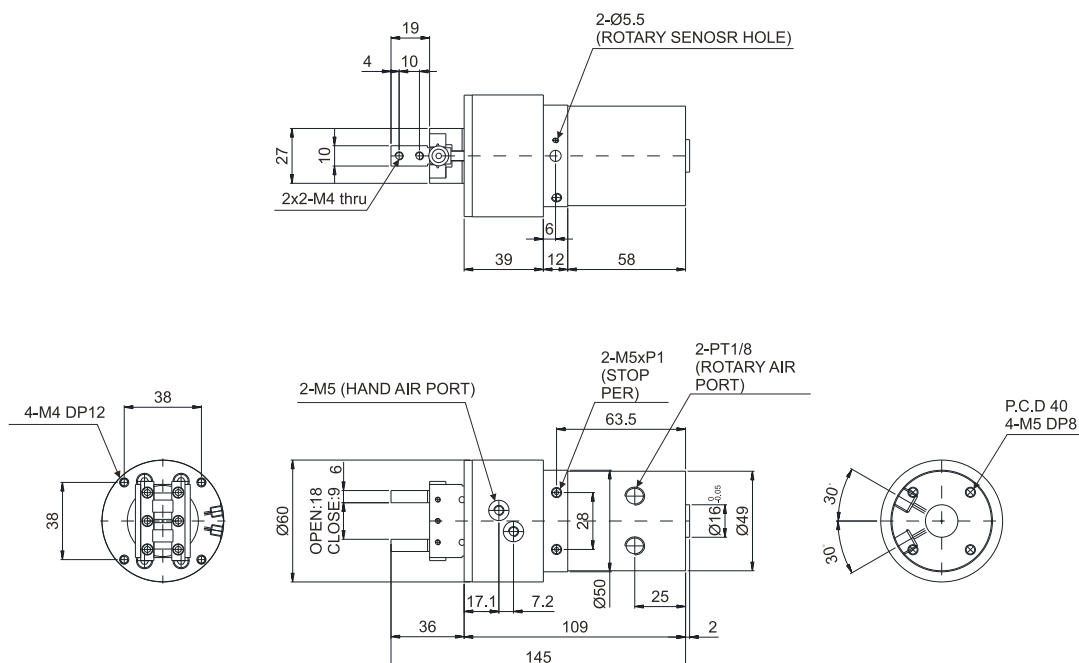
Bore 缸径	Angle 反转角度	Auto Switch 磁性开关
16,20	90°	None (无磁性开关)
	180°	RS1 Switch 1EA(磁性开关1只)
		RS2 Switch 2EA(磁性开关2只)

Specification (规格)

Type(型号)	TRH16		TRH20	
Cylinder Bore Size(缸径)(mm)	16		20	
Rod Size(活塞杆径)(mm)	6		8	
Reverse Angle(反转角度)(°)	90	180	90	180
Stroke(开闭行程)(mm)	9		11	
Gripping Force(理论把持力)(kgf)	关		8.9	
Air pressure(使用压力)(5kgf/cm ²)	开		10.6	
Rotation Torque(回转力矩)(kgf/cm ²)P-使用空气压力(kgf/cm ²)	2.4 × P-3.5		5.4 × P-8	
Accuracy(反复开闭位置精度)(mm)	± 0.01			
Weight(本体重量)(kgf)	0.78		1.5	
Rotary Position Accuracy(回转位置精度)(°)	± 0.03			

Dimensions(mm)(外形尺寸图(毫米))

TRH16



平行开闭/反转/复合型摆动气缸

General Hand

TRH Series

Dimensions(mm)(外形尺寸图(毫米))

TRH20

