

# 中型标准气缸 Medium Cylinder

## TMB(Ø32~Ø100) Series

### Common Specification (共同规格)



Bore(缸径)(mm)	Ø32	Ø40	Ø50	Ø63	Ø80	Ø100
Fluid(流体)	Clean Air(洁净空气)					
Action(动作形式)	Double Acting(双动)					
Proof Press.(保证耐压力)	1.5Mpa					
Max. Press.(最高使用压力)	0.99Mpa					
Min. Press.(最低使用压力)	0.05Mpa					
Amb.Temp.(环境及流体温度)	-5~+60°C(未冻结)					
Piston Speed(活塞速度)	50~500mm/s					
Cushion(缓冲)	Air Cushion(气缓冲)					
*Lubrication(润滑)	Non-Lube(不需要)					
Magnet(磁环)	Built-in Magnet(有磁环)					
Stroke Tolerance(行程公差)	0~250: $^{+1.0}_0$ 251~1000: $^{+1.4}_0$					
Pipe Size(接管口径)Rc(PT)	1/8"	1/4"	1/4"	3/8"	3/8"	1/2"

\* Use Tubine Oil 1st-Grade ISOVG32, If Necessary(如需要润滑请用透平1号油ISOVG32)

### How To Order (型号表示方法)

TMB B 40 - 100 Y - M9B S

Mounting 附件安装方式	Bore 缸径	Stroke 行程	Accessory 附件		*Auto Switch 磁性开关		No.of Auto Switch 磁性开关数量	
			I I Type Knuckle Joint (I型单肘接头)	Y Y Type Knuckle Joint (Y型双肘接头)	Nil(空)	None (无磁性开关)	Nil(空)	2(个)
B Basic Type(基本型)	32,40,50,63,80,100	Please refer to the table. 请参考行程表	* Auto Switch(磁性开关)引线长度表示记号: 无记号-1m(标准)		A49	Reed Switch(带有接点磁性开关)	S	1(个)
L Foot Type(脚座型)					M9B	Reed Switch(带有接点磁性开关)	3	3(个)
F Front Flange(杆侧法兰)					M9NP	Contactless Switch(无接点磁性开关)		
G Rear Flange(后法兰)					A25B	Reed Switch(带有接点磁性开关)		
C Single Clevis(单U钩型)								
D Double Clevis(双U钩型)								
E Double Clevis/Bracket(双U钩型接座)								
T Center Trunnion(中央轴耳)								
R Trunnion Bracket(轴耳接座)								

### Stroke(行程)

Bore (缸径) (mm)	Stroke (标准行程) (mm)
Ø32,Ø40	25,50,75,100,125,150,175,200,250,300,350,400,450,500
Ø50,Ø63	25,50,75,100,125,150,175,200,250,300,350,400,450,500,600
Ø80,Ø100	25,50,75,100,125,150,175,200,250,300,350,400,450,500,600,700,750

\* Contact us for other stroke. (非标行程请与营业员联系)

### Part No. of Mounting(安装附件型号)

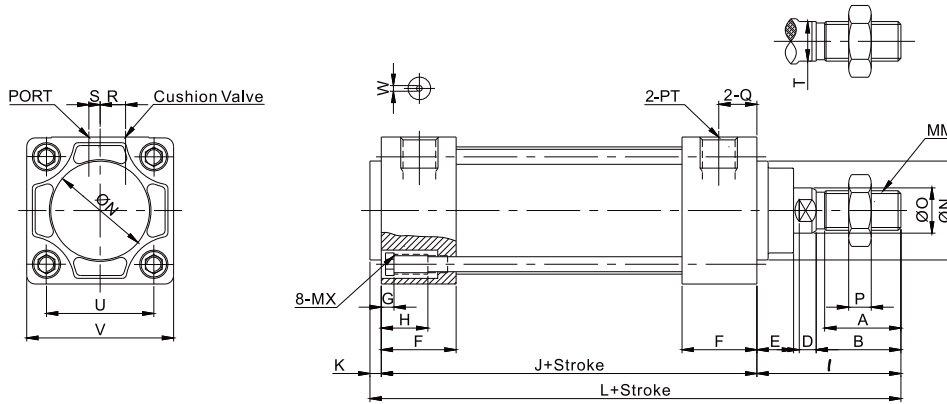
	Bore(缸径)	Ø32	Ø40	Ø50	Ø63	Ø80	Ø100
Accessory (安装附件)	L	TMB-L032	TMB-L040	TMB-L050	TMB-L063	TMB-L080	TMB-L100
	F	TMB-F032	TMB-F040	TMB-F050	TMB-F063	TMB-F080	TMB-F100
	G						
	C	TMB-C032	TMB-C040	TMB-C050	TMB-C063	TMB-C080	TMB-C100
	D	TMB-D032	TMB-D040	TMB-D050	TMB-D063	TMB-D080	TMB-D100
	E	TMB-E032	TMB-E040	TMB-E050	TMB-E063	TMB-E080	TMB-E100
	T	TMB-T032	TMB-T040	TMB-T050	TMB-T063	TMB-T080	TMB-T100
	R	TMB-R032	TMB-R040	TMB-R050	TMB-R063	TMB-R080	TMB-R100
Accessory (连接附件)	I	TMB-032I	TMB-040I	TMB-050I		TMB-080I	TMB-100I
	Y	TMB-032Y	TMB-040Y	TMB-050Y		TMB-080Y	TMB-100Y

# 中型标准气缸 Medium Cylinder

## TMB(Ø32~Ø100) Series

### Dimensions(mm)(外形尺寸图(毫米))

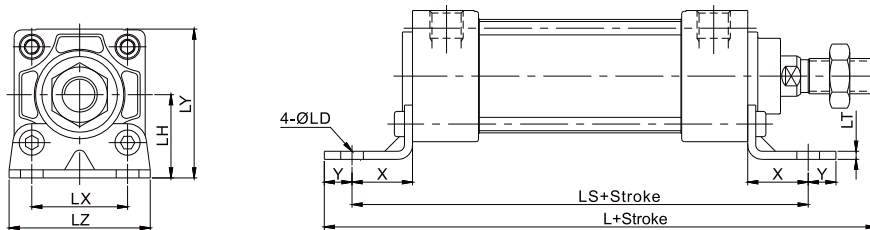
#### Basic Type(基本型) TMBB



Bore(缸径)	A	B	D	E	F	G	H	I	J	K	L	MM	ØN	ØO	P	PT	Q	R	S	T	U	V	W	MX
Ø32	19.5	22	6	13	26.5	4	16	47	83	4	135	M10x1.25	30	12	8	1/8"	13	6.5	4	10	32.5	46	2.5	M6x1.0
Ø40	27	30	6	13	26.5	4	16	51	83	4	138	M14x1.5	35	16	8	1/4"	13.5	9	4	14	38	52	2.5	M6x1.0
Ø50	32	35	7	14	31	5	16	58	93	4	155	M18x1.5	40	20	11	1/4"	15	10.5	5	18	46.5	65	2.5	M8x1.25
Ø63	32	35	7	14	31	5	16	58	93	4	155	M18x1.5	45	20	11	3/8"	16	12	9	22	56.5	75	4	M8x1.25
Ø80	37	40	10	20	37.5	5	16	72	113	4	189	M22x1.5	45	25	13	3/8"	18.5	14	11.5	22	72	95	4	M10x1.5
Ø100	37	40	10	20	37.5	5	16	72	113	4	189	M26x1.5	55	30	16	1/2"	18.5	15	17	26	89	114	4	M10x1.5

### Dimensions(mm)(外形尺寸图(毫米))

#### Foot Type(脚座型) TMBL



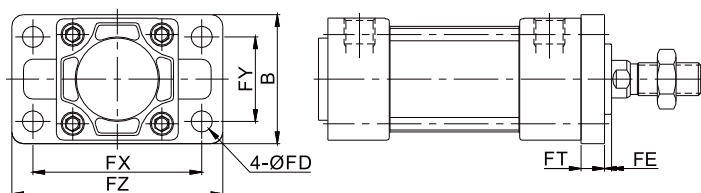
Bore(缸径)	Max.Stroke(最大行程)	X	Y	ØLD	LH	LS	LT	LZ	L	LX	LY
Ø32	800	22	9	7	30	131	3.2	50	161	32	53
Ø40	800	24	11	9	33	131	3.2	55	169	38	59
Ø50	1000	27	11	9	40	147	3.2	70	189	46	72.5
Ø63	1000	27	14	12	45	147	3.2	80	192	56	82.5
Ø80	1000	30	14	12	55	173	4.5	100	229	72	102.5
Ø100	1000	32	16	14	65	177	4.5	120	233	89	122

# 中型标准气缸 Medium Cylinder

## TMB(Ø32~Ø100) Series

### Dimensions(mm)(外形尺寸图(毫米))

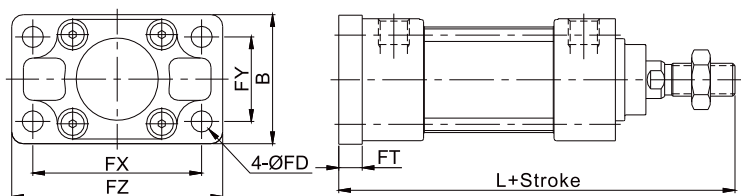
#### Front Flange Type(杆侧法兰) TMBF



Bore (缸径)	Max. Stroke (最大行程)	B	ØFD	FE	FT	FX	FY	FZ
Ø32	800	50	9	3	10	64	32	79
Ø40	800	55	9	3	10	72	36	90
Ø50	1000	70	9	2	12	90	45	110
Ø63	1000	80	9	2	12	100	50	120
Ø70	1000	100	12	2	18	126	63	153
Ø100	1000	120	14	2	18	150	75	178

### Dimensions(mm)(外形尺寸图(毫米))

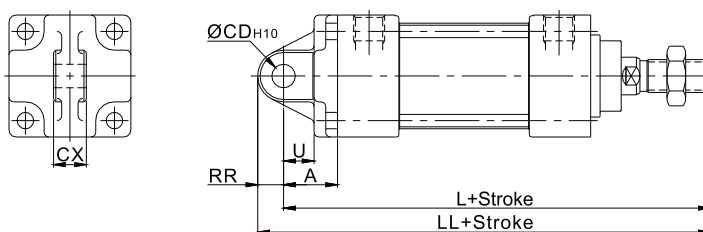
#### Rear Flange Type(后法兰) TMBG



Bore (缸径)	Max. Stroke (最大行程)	B	ØFD	FT	FX	FY	FZ	L
Ø32	500	50	9	10	64	32	79	140
Ø40	500	55	9	10	72	36	90	144
Ø50	600	70	9	12	90	45	110	163
Ø63	600	80	9	12	100	50	120	163
Ø70	750	100	12	18	126	63	153	203
Ø100	750	120	12	18	150	75	178	203

### Dimensions(mm)(外形尺寸图(毫米))

#### Single Clevis Type(单U钩型) TMBC



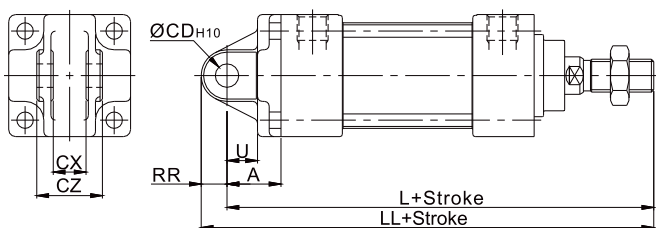
Bore (缸径)	Max. Stroke (最大行程)	A	RR	U	ØCD	CX	L	LL
Ø32	500	23	10.5	13	10	14	154	164.5
Ø40	500	23	11	13	10	14	157	168
Ø50	600	30	15	17	14	20	181	192
Ø63	600	30	15	17	14	20	181	196
Ø70	750	42	23	26	22	30	227	250
Ø100	750	42	23	26	22	30	227	250

# 中型标准气缸 Medium Cylinder

## TMB(Ø32~Ø100) Series

### Dimensions(mm)(外形尺寸图(毫米))

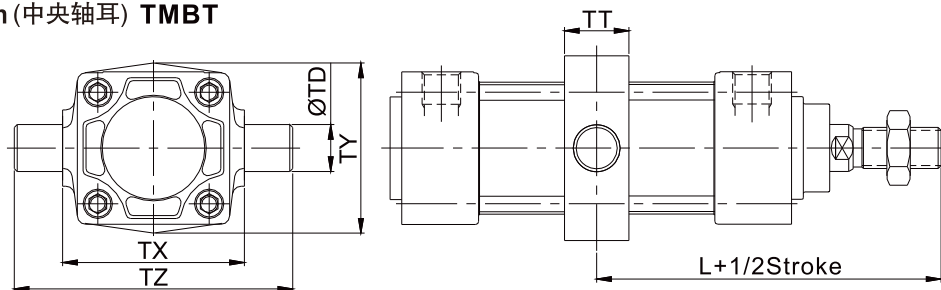
#### Double Clevis Type(双U钩型) TMBD



Bore(缸径)	Max. Stroke(最大行程)	A	RR	U	ØCD	CX	CZ	L	LL
Ø32	500	23	10.5	13	10	14	28	154	164.5
Ø40	500	23	11	13	10	14	28	157	168
Ø50	600	30	15	17	14	20	40	181	192
Ø63	600	30	15	17	14	20	40	181	196
Ø70	750	42	23	26	22	30	60	227	250
Ø100	750	42	23	26	22	30	60	227	250

### Dimensions(mm)(外形尺寸图(毫米))

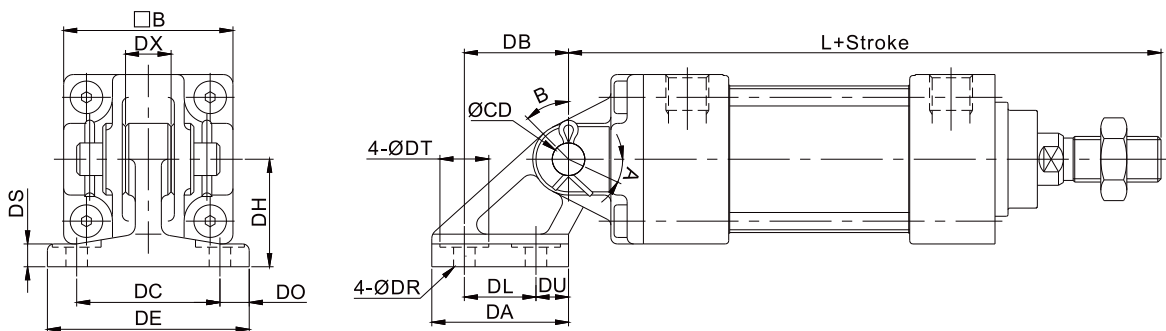
#### Center Trunnion(中央轴耳) TMBT



Bore(缸径)	Max. Stroke(最大行程)	ØTD	TT	TX	TY	TZ	L
Ø32	500	12	17	50	49	74	89
Ø40	500	16	22	62	58	95	92.5
Ø50	600	16	22	75	71	107	104.5
Ø63	600	20	28	90	87	130	104.5
Ø70	750	20	34	110	110	150	128.5
Ø100	750	25	30	132	136	182	128.5

### Dimensions(mm)(外形尺寸图(毫米))

#### Double Clevis Bracket Type(双U钩型接座) TMBE



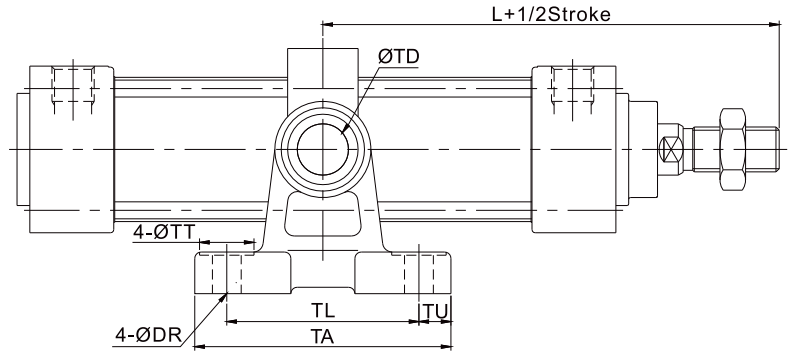
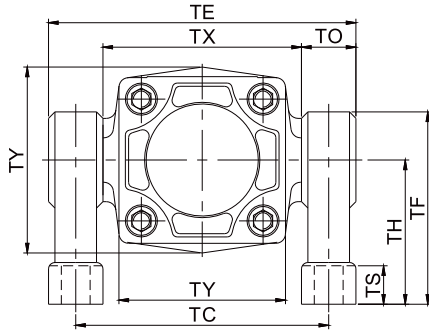
Bore(缸径)	□B	DA	DB	DL	DU	DC	DX	DE	DO	ØDR	ØDT	DS	DH	L	ØCD(H10)	A°	B°
Ø32	46	42	32	22	10	44	14	62	9	6.6	15	7	33	154	10 <sup>+0.053</sup> <sub>0</sub>	25	45
Ø40	52	42	32	22	10	44	14	62	9	6.6	15	7	33	158	10 <sup>+0.053</sup> <sub>0</sub>	25	45
Ø50	65	53	43	30	11.5	60	20	80	10.5	9	18	8	45	182	14 <sup>+0.073</sup> <sub>0</sub>	40	60
Ø63	75	53	43	30	11.5	60	20	81	10.5	9	18	8	45	182	14 <sup>+0.073</sup> <sub>0</sub>	40	60
Ø80	95	73	64	45	14	86	30	111	12.5	11	22	10	65	228	22 <sup>+0.084</sup> <sub>0</sub>	30	55
Ø100	144	73	64	45	14	86	30	111	12.5	11	22	10	65	228	22 <sup>+0.084</sup> <sub>0</sub>	30	55

# 中型标准气缸 Medium Cylinder

## TMB(Ø32~Ø100) Series

### Dimensions(mm)(外形尺寸图(毫米))

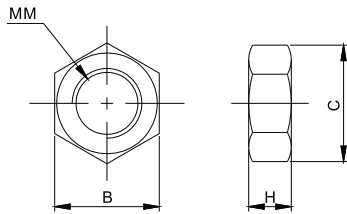
#### Trunnion Bracket Type (轴耳接座) TMBR



Bore(缸径)	TA	TL	TU	TC	TX	TE	TO	ØTR	TT	TS	TH	TF	TY	L	ØTD <sub>(H10)</sub>
Ø32	62	45	8.5	62	50	74	12	7	13	10	35	47	49	89	12 <sup>+0.073</sup> <sub>0</sub>
Ø40	80	60	10	79	62	96	17	9	17	12	45	60	58	93	16 <sup>+0.073</sup> <sub>0</sub>
Ø50	80	60	10	92	75	109	17	9	17	12	45	60	71	105	16 <sup>+0.073</sup> <sub>0</sub>
Ø63	10	70	15	110	90	130	20	11	22	14	60	78	87	105	20 <sup>+0.073</sup> <sub>0</sub>
Ø80	100	70	15	130	110	150	20	11	22	14	60	78	110	129	20 <sup>+0.084</sup> <sub>0</sub>
Ø100	120	90	15	132	130	182	25	13.5	24	17	75	100	136	129	25 <sup>+0.084</sup> <sub>0</sub>

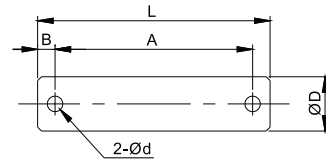
### Dimensions(mm)(外形尺寸图(毫米))

#### Rod End Nut (杆端螺母)



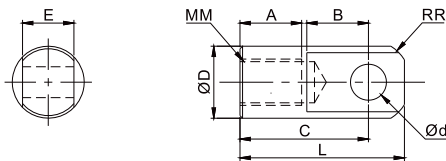
Bore(缸径)	B	C	H	M
Ø40	22	25.4	8	M14x1.5
Ø50,Ø63	27	31.2	11	M18x1.5
Ø80	32	37	13	M22x1.5
Ø100	41	47.3	16	M26x1.5

#### Knuckle Joint Pin (接头用销子)



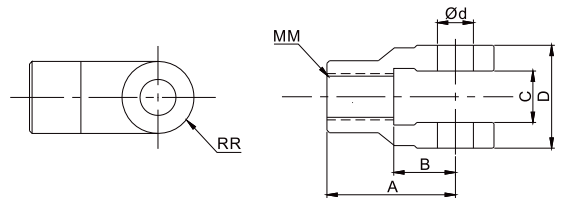
Bore(缸径)	A	B	L	Ød	ØD <sub>(H10)</sub>
Ø40	36	4	44	3	10 <sup>-0.040</sup> <sub>-0.078</sub>
Ø50,Ø63	51	4.5	60	4	14 <sup>-0.050</sup> <sub>-0.093</sub>
Ø80,Ø100	72	5	82	4	22 <sup>-0.065</sup> <sub>-0.117</sub>

#### Single Knuckle Joint (I型单肘接头)



Bore(缸径)	A	B	C	ØD	Ød <sub>(H10)</sub>	E <sub>(H10)</sub>	L	R	MM
Ø40	19	19	40	22	10 <sup>+0.058</sup> <sub>0</sub>	14 <sup>-0.1</sup> <sub>-0.3</sub>	50	12.5	M14x1.5
Ø50,Ø63	24	24	50	28	10 <sup>+0.070</sup> <sub>0</sub>	20 <sup>-0.1</sup> <sub>-0.3</sub>	64	16.5	M18x1.5
Ø80	26	34	60	40	22 <sup>+0.084</sup> <sub>0</sub>	30 <sup>-0.1</sup> <sub>-0.3</sub>	80	23.5	M22x1.5
Ø100	26	34	60	40	22 <sup>+0.084</sup> <sub>0</sub>	30 <sup>-0.1</sup> <sub>-0.3</sub>	80	23.5	M26x1.5

#### Double Knuckle Joint (Y型双肘接头)



Bore(缸径)	A	B	C	D	Ød <sub>(H10)</sub>	MM	R
Ø40	40	19	14 <sup>-0.1</sup> <sub>-0.3</sub>	28 <sup>-0.1</sup> <sub>-0.3</sub>	10 <sup>+0.058</sup> <sub>0</sub>	M14x1.5	11
Ø50,Ø63	50	24	20 <sup>-0.1</sup> <sub>-0.3</sub>	40 <sup>-0.1</sup> <sub>-0.3</sub>	10 <sup>+0.070</sup> <sub>0</sub>	M18x1.5	14
Ø80	65	34	30 <sup>-0.1</sup> <sub>-0.3</sub>	58 <sup>-0.1</sup> <sub>-0.3</sub>	22 <sup>+0.084</sup> <sub>0</sub>	M22x1.5	20
Ø100	65	34	30 <sup>-0.1</sup> <sub>-0.3</sub>	58 <sup>-0.1</sup> <sub>-0.3</sub>	22 <sup>+0.084</sup> <sub>0</sub>	M26x1.5	20

# 中型双活塞杆型气缸 Medium Cylinder/Double Rod Type

## TMBW(Ø32~Ø100) Series

### Order Example (订购举例)

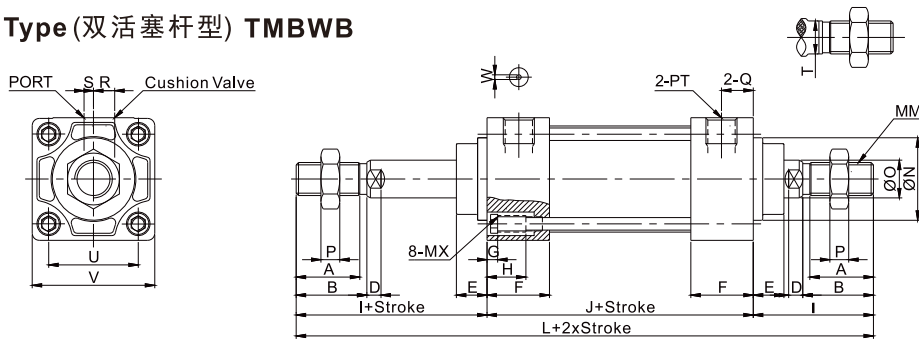
### Double Rod Type (双活塞杆型)

**TMBWB50-50Y-M9BS**  
① ② ③ ④ ⑤ ⑥

- ① Mounting 附件安装方式
- ② Bore 缸径
- ③ Stroke 行程
- ④ Knuckle Joint 连接附件
- ⑤ Auto Switch 磁性开关
- ⑥ No.of Auto Switch 磁性开关数量

### Dimensions(mm)(外形尺寸图(毫米))

#### Double Rod Type (双活塞杆型) TMBWB



Bore(缸径)	A	B	D	E	F	G	H	I	J	L	MM	ØN	ØO	P	PT	Q	R	S	T	U	V	W	MX
Ø40	27	30	6	13	26.5	4	16	51	83	185	M14x1.5	35	16	8	1/4"	13.5	9	4	14	38	52	2.5	M6x1.0
Ø50	32	35	7	14	31	5	16	58	83	209	M18x1.5	40	20	11	1/4"	15	10.5	5	18	46.5	65	2.5	M8x1.25
Ø63	32	35	7	14	31	5	16	58	90	209	M18x1.5	45	20	11	3/8"	16	12	9	22	56.5	75	4	M8x1.25
Ø80	37	40	10	20	37.5	5	16	72	113	257	M22x1.5	45	25	13	3/8"	18.5	14	11.5	22	72	95	4	M10x1.5
Ø100	37	40	10	20	37.5	5	16	72	113	257	M26x1.5	55	30	16	1/2"	18.5	15	17	26	89	114	4	M10x1.5

### Order Example (订购举例)

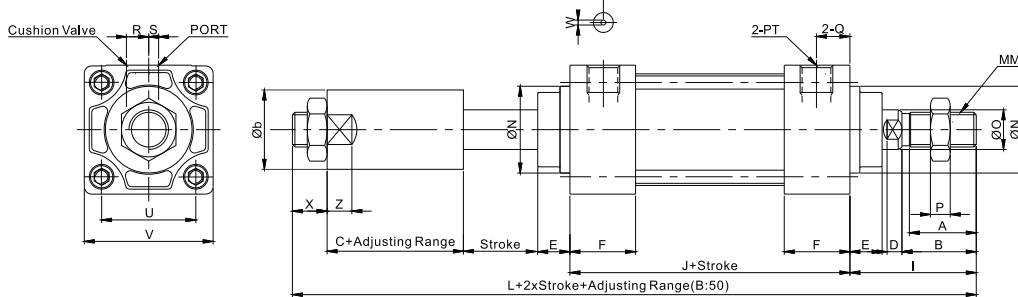
### Adjustable Stroke Cylinder (可调节行程气缸)

**TMBF50-50BY-M9BS -XC8/XC9**  
① ② ③ ④ ⑤ ⑥ ⑦ ⑧ ⑨

- ① Mounting 附件安装方式
- ② Bore 缸径
- ③ Stroke 行程
- ④ B: Stroke adjusting range 0~50mm 行程可调节范围为0~50mm
- ⑤ Accessory 附件
- ⑥ Auto Switch 磁性开关
- ⑦ No.of Auto Switch 磁性开关数量
- ⑧ Extension Adjustable Type 伸出调节型
- ⑨ Retraction Adjustable Type 缩回调整型

### Dimensions(mm)(外形尺寸图(毫米))

#### Adjustable Stroke Cylinder (可调节行程气缸) TMB-XC8



Bore(缸径)	A	B	D	E	F	I	J	L	MM	ØN	ØO	2-PT	2-Q	R	S	U	V	W	P	C	Øb	X	Z
Ø40	27	30	6	13	26.5	51	83	185	M14x1.5	35	16	1/4"	13.5	9	4	38	52	2.5	8	30	32	27	4
Ø50	32	35	7	14	31	58	83	209	M18x1.5	40	20	1/4"	15	10.5	5	46.5	65	2.5	11	39	38	32	15
Ø63	32	35	7	14	31	58	90	209	M18x1.5	45	20	3/8"	16	12	9	56.5	75	4	11	39	38	32	15
Ø80	37	40	10	20	37.5	72	113	257	M22x1.5	45	25	3/8"	18.5	14	11.5	72	95	4	13	48	45	41	18
Ø100	37	40	10	20	37.5	72	113	257	M26x1.5	55	30	1/2"	18.5	15	17	89	114	4	16	51	53	50	21