

How To Order(型号表示方法)



K E 5 10 - Y - A12
① ② ③ ④

① Buffer Style(缓冲形式)

E	External Spring(外置弹簧)
I	Built-in Spring(内置弹簧)

③ Vacuum Entry-External Spring Connection(真空口连接方式外置弹簧连接)

Nil(无)	Standard(标准)
Y	Pipe Connector(插管接头)

② External Spring Buffer Stroke(外置弹簧缓冲行程)

10
20

Built-in Spring Connection(内置弹簧连接)

Nil(无)	Standard(标准)	
V	Female Thread(内螺纹)	
R	B	Refer To The Outline(图示) Dimension
E	S	

Built-in Spring Buffer Stroke(内置弹簧缓冲行程)

R, B	06, 10, 25
E, S	
V type(型)	07, 15, 20

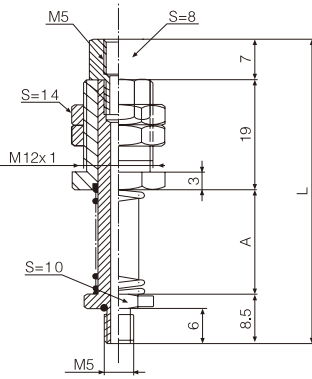
④ Mounting Connection-male Thread(安装连接外螺纹)

Symbol(记号)	Male Thread(外螺纹)	Indent HEX(外六角S)
A8	M8 × 1	12
A10	M10 × 1	14
A12	M12 × 1	14

Remark: Vacuum Pad Port Connection type(备注: 吸盘接口连接方式)

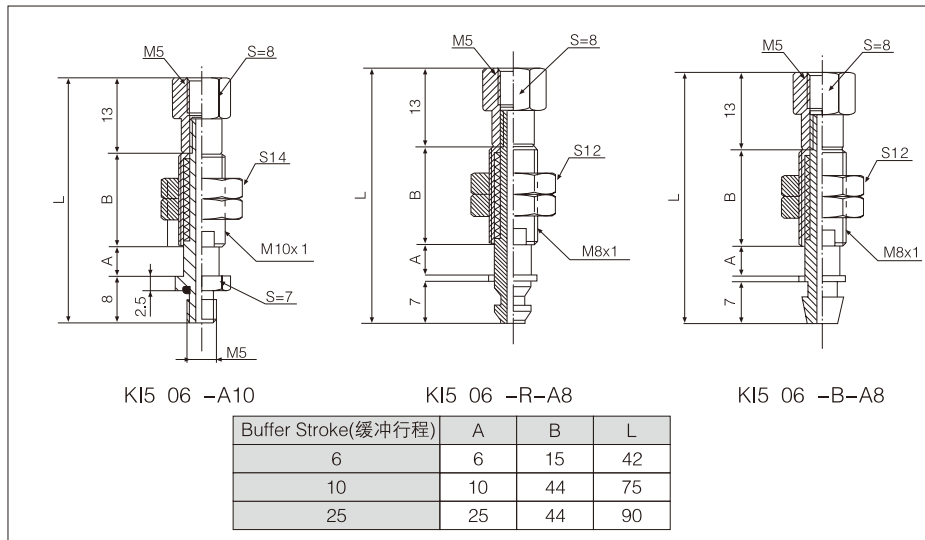
Model(型号)	Suitable Vacuum Pad Model(选用吸盘型号)
R Type	SB6X, SU1.5X, SU2X, SU4X
B Type	SU10(15), SF15, SB10(12, 15)
E Type	SU4(6, 8), SB5(8)
S Type	SU2(3)

Dimensions(mm)(外形尺寸图(毫米))



KE5 10 -A12

Buffer Stroke(缓冲行程)	A	L
10	18	53
20	28	63

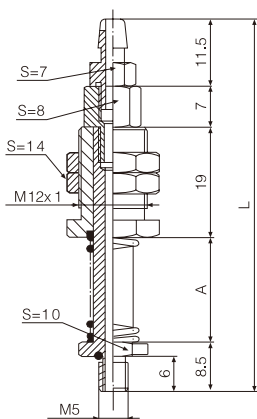


KI5 06 -A10

KI5 06 -R-A8

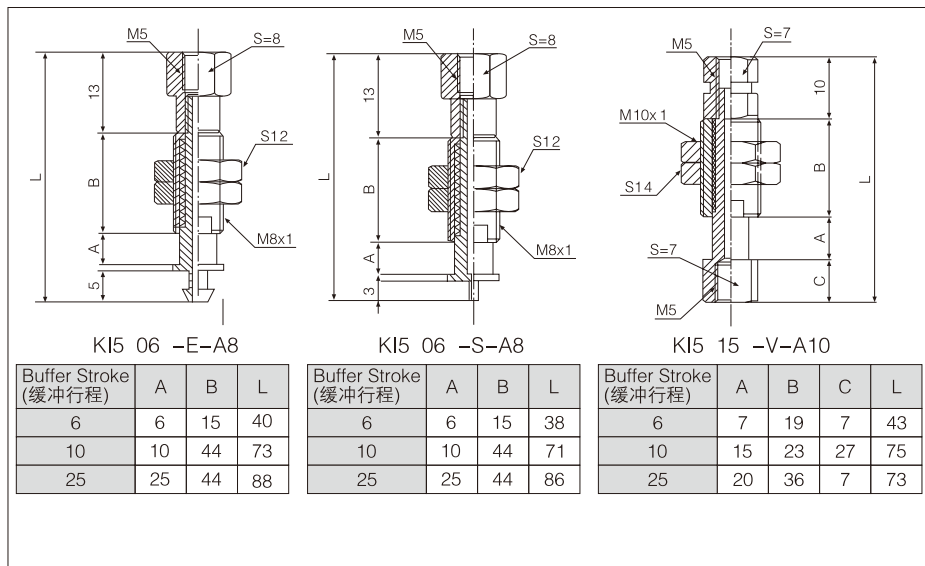
KI5 06 -B-A8

Buffer Stroke(缓冲行程)	A	B	L
6	6	15	42
10	10	44	75
25	25	44	90



KE5 10 -Y-A12

Buffer Stroke(缓冲行程)	A	L
10	18	64
20	28	74



KI5 06 -E-A8

KI5 06 -S-A8

KI5 15 -V-A10

Buffer Stroke(缓冲行程)	A	B	L
6	6	15	40
10	10	44	73
25	25	44	88

Buffer Stroke(缓冲行程)	A	B	L
6	6	15	38
10	10	44	71
25	25	44	86

Buffer Stroke(缓冲行程)	A	B	C	L
6	7	19	7	43
10	15	23	27	75
25	20	36	7	73



How To Order(型号表示方法)

K I 14 10 - V - A18
① ② ③ ④

① Buffer Style(缓冲形式)

E	External Spring(外置弹簧)
I	Built-in Spring(内置弹簧)

② Buffer Stroke(缓冲行程)

10、20、30、50

③ Vacuum Entry Connection(真空口连接方式)

Nil(无)	Standard(标准)
V	Female Thread(内螺纹)

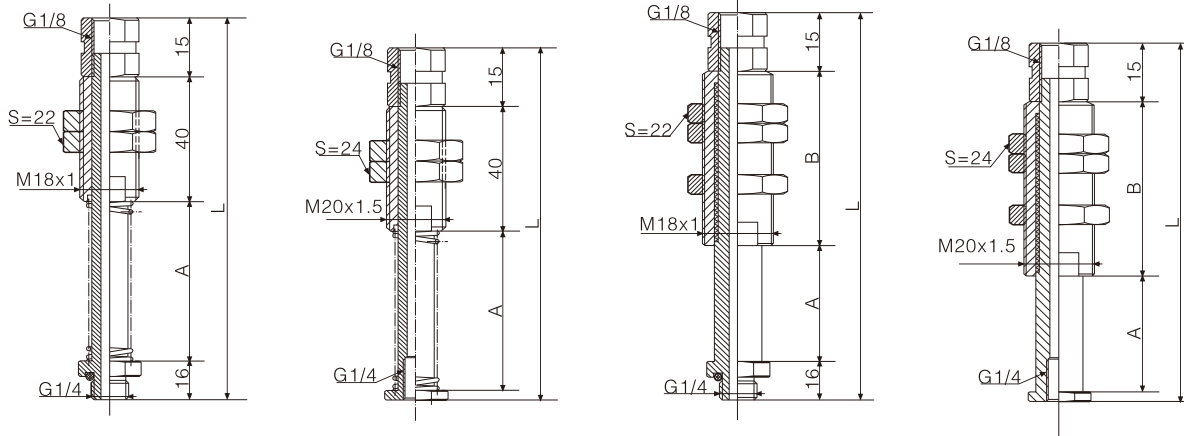
④ Mounting Connection-Male Thread(安装连接外螺纹)

Symbol(记号)	Male Thread(外螺纹)	Indent HEX(外六角S)
A18	M18 x 1	22
A20	M20 x 1.5	24

Features(产品特点)

- With buffer spring, it can adjust height differences automatically when transfer the objects with height differences.
- Various connection thread and different stroke, it is suitable for standard vacuum pad. Wide applications.
- Touch with the fragile workpiece flexibly, buffer the impact to the object.
- 带缓冲弹簧，传送具有高度变化的物体时可自动调节高度差异。
- 多种连接螺纹和不同规格的行程，适合标准尺寸的吸盘。应用范围广。
- 与易损工件柔性接触，缓冲对物体的冲击。

Dimensions (mm)(外形尺寸)



KE14 20 -A18

KE14 20 -V -A20

KI14 20 -A18

KI14 20 -V -A20

Buffer Stroke(缓冲行程)	A	L
10	20	91
20	35	106
30	50	121
50	70	141

Buffer Stroke(缓冲行程)	A	L
10	20	80
20	35	95
30	50	110
50	70	130

Buffer Stroke(缓冲行程)	A	B	L
10	10	25	66
20	20	35	86
30	30	45	106
50	50	65	146

Buffer Stroke(缓冲行程)	A	B	L
10	10	25	55
20	20	35	75
30	30	45	95
50	50	65	135

K38 Series

How To Order(型号表示方法)



K I K 38 10 - A18

① ② ③ ④

① Buffer Style(缓冲形式)

E	External Spring(外置弹簧)
I	Built-in Spring(内置弹簧)

② Rotary Type(回转类型)

Nil(无)	Rotating(可回转)
K	Non-Rotating(不可回转)

③ Buffer Stroke(缓冲行程)

10
20
30
50

Remark: When it is external spring(E), there is no non-rotating type.(外置弹簧E无不可回转类型)

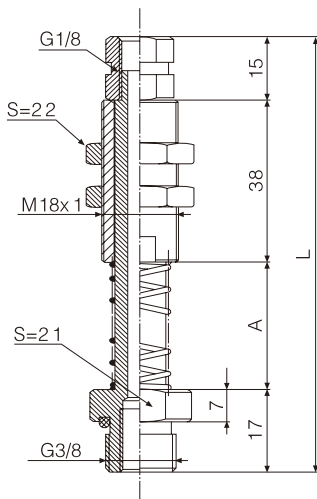
④ Mounting Connection-Male Thread(安装连接外螺纹)

Symbol(记号)	Male Thread(外螺纹)	Indent HEX(外六角S)
A18	M18 × 1	22
A20	M20 × 1.5	24

Features(产品特点)

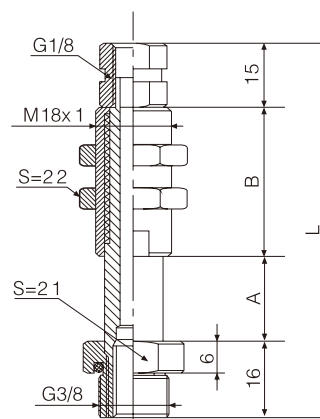
- With buffer spring, it can adjust height differences automatically when transfer the objects with height differences.
- Various connection thread and different stroke, it is suitable for standard vacuum pad. Wide applications. Touch with the fragile workpiece flexibly, buffer the impact to the object.
- Preventing rotate function is alternative.
- 带缓冲弹簧, 传送具有高度变化的物体时可自动调节高度差异。
- 多种连接螺纹和不同规格的行程, 适合标准尺寸的吸盘。应用范围广。与易损工件柔性接触, 缓冲对物体的冲击。
- 防旋转功能备选。

Dimensions(mm)(外形尺寸图(毫米))



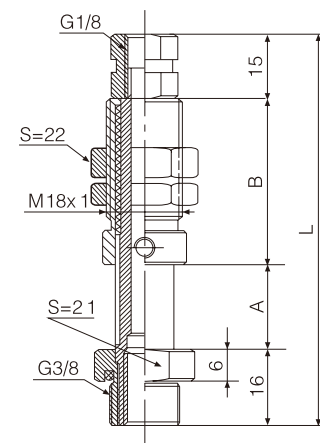
KE38 20 -A18

Buffer Stroke(缓冲行程)	A	L
10	20	90
20	35	105
30	50	120
50	70	140



KI38 20 -A18

Buffer Stroke(缓冲行程)	A	B	L
10	10	24	65
20	20	35	86
30	30	46	107
50	50	66	147



KIK38 20 -A18

Buffer Stroke(缓冲行程)	A	B	L
10	10	28	69
20	20	39	90
30	30	50	111
50	50	70	151

How To Order(型号表示方法)



K E 12 10 - L - A18
 ① ② ③ ④

① Buffer Style(缓冲形式)

E	External Spring(外置弹簧)
I	Built-in Spring(内置弹簧)

② Buffer Stroke(缓冲行程)

10,20,30,50

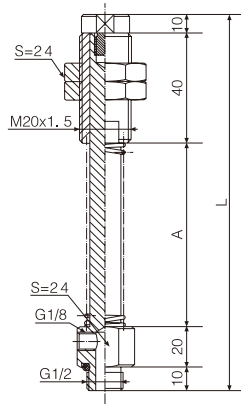
③ Vacuum Entry Connection(真空口连接方式)

Nil(无)	Standard(标准)
V	Lateral Exhaust(真空口连接方式)

④ Mounting Connection-Male Thread(安装连接外螺纹)

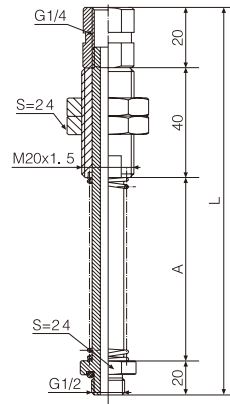
Symbol(记号)	Male Thread(外螺纹)	Indent HEX(外六角S)
A18	M18 x 1	22
A20	M20 x 1.5	24
A22	M22 x 1.5	26

Dimensions(mm)(外形尺寸图(毫米))



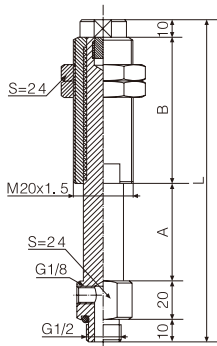
KE12 30 -L-A20

Buffer Stroke(缓冲行程)	A	L
10	20	100
20	35	115
30	50	130
50	90	170



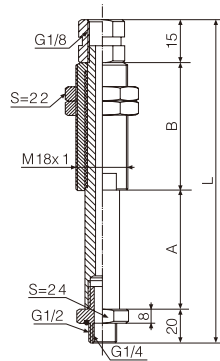
KE12 30 -A20

Buffer Stroke(缓冲行程)	A	L
10	20	100
20	35	115
30	50	130
50	90	170



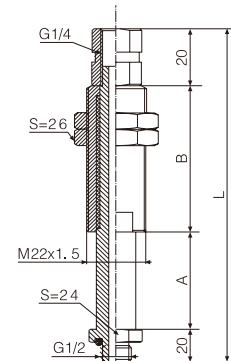
KI12 30 -L-A20

Buffer Stroke(缓冲行程)	A	B	L
10	10	30	80
20	20	35	95
30	30	50	120
50	50	70	160



KI12 30 -A18

Buffer Stroke(缓冲行程)	A	B	L
10	10	30	75
20	20	35	90
30	30	50	115
50	50	70	155



KI12 30 -A22

Buffer Stroke(缓冲行程)	A	B	L
10	10	30	80
20	20	35	95
30	30	50	120
50	50	70	160