

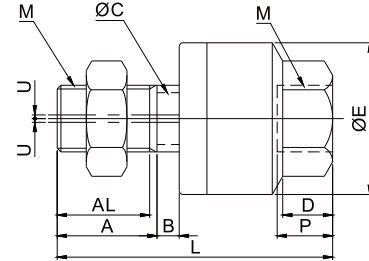
# 浮动接头 Floating Joint

## TJA/TJAF Series

### Dimensions(mm)(外形尺寸图(毫米))

#### Basic Type(基本型)/TJA Series

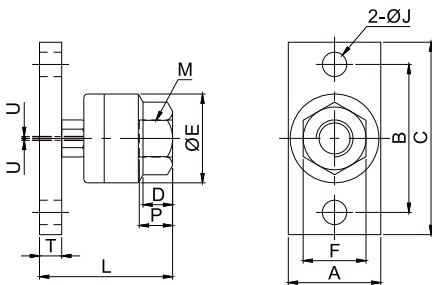
##### TJA10~160



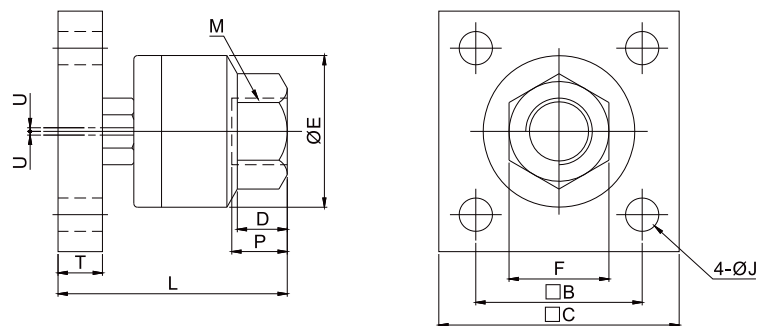
Applicable Cylinder Bore(适用缸径)(mm)	Model No. (型式)	M		L	AL	A	B	C	D	ØE	P	Allowable Eccentricity (允许偏心率)U	Max. Oper. Tension & Compress. Power (最大工作张力及压缩力)(KN(kgf))
		ø(直径)	Pitch(螺距)										
10	TJA10-4-070	4	0.7	26	9	10	1.5	5	4.6	12	5.5	0.5	0.054(5.4)
15,16	TJA15-5-080	5	0.8	34	12	14	2	6	5.6	16	7	0.5	0.123(12.3)
	TJA15-6-100	6	1.0	34	12	14	2	6	5.6	16	7	0.5	0.123(12.3)
20	TJA20-8-125	8	1.25	45	15	16.5	5	7	6	21	8	0.5	1.1(110)
25,30	TJA30-10-125	10	1.25	47	17	18	5	8	8	24	9	0.5	2.5(250)
40	TJA40-14-150	14	1.5	62	20	22	6	11	11	31	13	0.75	6.0(600)
50,63	TJA63-18-150	18	1.5	75	25	26	6.5	14	13	41	15	1	11(110)
80	TJA80-22-150	22	1.5	89	27	29	7	19	16	50	18	1.25	18(1800)
100	TJA100-26-150	26	1.5	110	34	36	11	24	21	59	24	2	28(2800)
125,140	TJA140-30-150	30	1.5	153	42	46	14	30	22	79	38	2.5	54(5400)
160	TJA160-36-150	36	1.5	179	52	56	16	36	24	96	42	3	71(7100)

#### Flange Type(法兰型)/TJAF Series

##### TJAF20~40



##### TJAF63~160



Applicable Cylinder Bore(适用缸径)(mm)	Model No. (型式)	M		L	A	B	C	D	ØE	F	T	J	P	Allowable Eccentricity (允许偏心率)U	Max. Oper. Tension & Compress. Power (最大工作张力及压缩力)(KN(kgf))
		ø(直径)	Pitch(螺距)												
20	YJAF20-8-125	8	1.25	33	19	36	48	7	21	13	6	6.6	8	0.5	1.1(110)
25,30,32	YJAF30-10-125	10	1.25	36	25	40	52	8	24	17	6	6.6	9	0.5	2.5(250)
40	YJAF40-14-150	14	1.5	50	32	52	70	11	31	22	9	9	13	0.75	4.4(440)
50,63	YJAF63-18-150	18	1.5	62	-	45	65	13.4	41	27	12	9	15	1	11(110)
80	YJAF80-22-150	22	1.5	76.5	-	55	75	16	50	32	16	11	18	1.25	18(1800)
100	YJAF100-26-150	26	1.5	94	-	65	90	20	69.5	41	19	11	24	2	28(2800)
125,140	YJAF140-30-150	30	1.5	131	-	82	125	22	79	46	24	18	38	2.5	36(3600)
160	YJAF160-36-150	36	1.5	152	-	100	152	24	96	55	29	22	42	3	55(5500)